

MV HOUSING LINER KIT

P/N 840201

FOR ALL MV MODELS



1803 S.W. Jefferson Street
Lee's Summit, Mo. 64082-2312 / USA
(816) 524-9666 Fax (816) 524-6983
www.billygoat.com

PURPOSE: To decrease wear on housing interior.

Tools Required:

7/16" and 1/2" socket and socket wrench, punch and hammer or a marking pen, 11/32" drill bit, and drill.

INSTALLATION



Fig. 1



Fig. 2



Fig. 3

Note: Either run all the gas empty or drain the gas out to prevent from spilling. Be sure to drain into proper container.

1. Wait for engine to cool and disconnect spark plug.
2. Drain fuel from the engine.
3. Remove bag.
4. Leaving engine/impeller assembly fastened to top plate, remove housing top plate by removing screws with 7/16" socket around outside of housing.

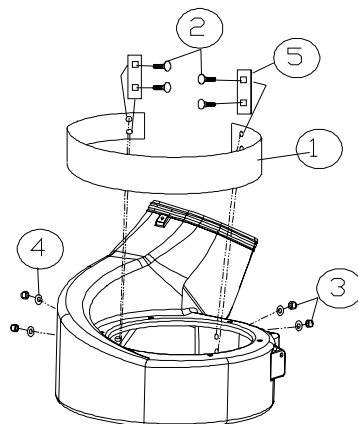
NOTE: Do not kink, stretch, or break throttle cable.

5. Using the liner as a guide point, place it against the exterior of the housing and mark the holes. The edge of the liner should be close but not at the bend in the exhaust chute. Drill two 11/32" holes using the marks and liner as a guide to center the holes in the housing (see fig.1). After drilling, clean the interior of housing to insure adhesive will stick to it.

6. Peel the backing off only a few inches from the mounting holes to expose adhesive, this will allow better alignment with the drilled holes. Install the new housing liner on the interior of the housing, with the hardware provided. Then slowly remove backing while pressing liner against housing. The liner should be firmly adhered to the housing its full length to prevent contact with the impeller.

- NOTE:** Carriage bolt heads are inside the housing and washers will be on the exterior. DO NOT over tighten.
7. Drill two more 11/32" holes by using existing holes on the new housing liner as a guide (see fig. 3).
 8. Secure this end using the remaining hardware provided. Do not over tighten.
 9. Reinstall engine/impeller assembly, and bag in reverse order of removal.
 10. Before connecting spark plug wire, slowly pull engine starting rope to insure that impeller rotates freely.
 11. Reinstall spark plug wire.

Parts List



	Part No.	Description	Qty
1	840200	LINER MV	1
2	8024040	BOLT CARR 5/16-18 x 1 ZP	4
3	8160002	NUT LOCK 5/16-18	4
4	8171003	WASHER 5/16 FLAT CUT	4
5	900933	PLATE HANDLE SUPPORT	2
	840201	LIT MV LINER SERVICE KIT	1